

# EXPANSION TANK SUPPORT SYSTEM

» 598 SERIES

TankBracket™

## SPECIFICATION

Sioux Chief 598 series TankBracket expansion tank support shall be used where necessary to support thermal expansion tanks (up to 5-gal.) in water supply systems. Support kits shall include a heavy-duty mounting column with slots, a sturdy support base, suspension beam and extension piece (3-pc. model only) and Nylon securing straps. Support base shall incorporate an elongated opening to allow access for air-charging or for expansion tank to be inverted for installations where tank is above water heater. Side slots in mounting column shall work with Nylon straps (included) or any water heater restraint straps up to 1.75" wide.

## MATERIALS

**Metal components:** 18-ga. galvanized steel

**Securing straps:** Nylon - 0.35" wide x 48" long, 175 lbs. tensile strength

## SAFE LOAD

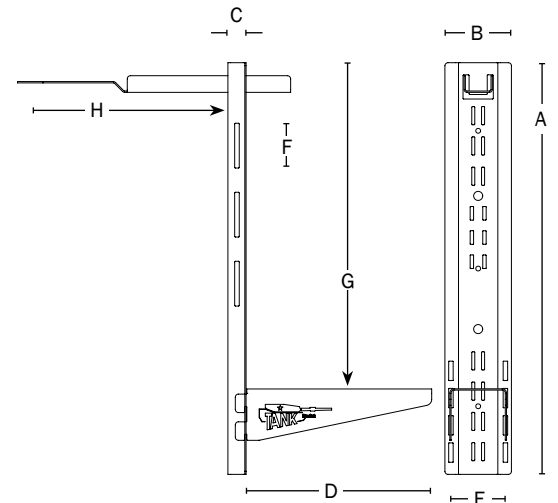
75 lbs.

## DIMENSIONS

<b>A:</b> Column height	17"
<b>B:</b> Column width	2.75"
<b>C:</b> Column depth	0.75"
<b>D:</b> Base depth	7.5"
<b>E:</b> Base width	2.3"
<b>F:</b> Slot height	1.85"
<b>G:</b> Top to base	12.375", 13.5", 14.625"
<b>H:</b> Beam hook to column <sup>1</sup>	4.5" – 9"
with extension installed <sup>1</sup>	4.5" – 14.5"

<sup>1</sup> 0.5" increments

ITEM # SUBMITTED	_____
JOB NAME	_____
LOCATION	_____
ENGINEER	_____
CONTRACTOR	_____
PO#	_____ TAG _____



Item Number

**598-A**

e.g. **598-023:** 3-pc. TankBracket expansion tank support system

### TANK SUPPORT TYPE A

**022** = 2-pc. TankBracket for wall mount

**023** = 3-pc. TankBracket for water heater mount